

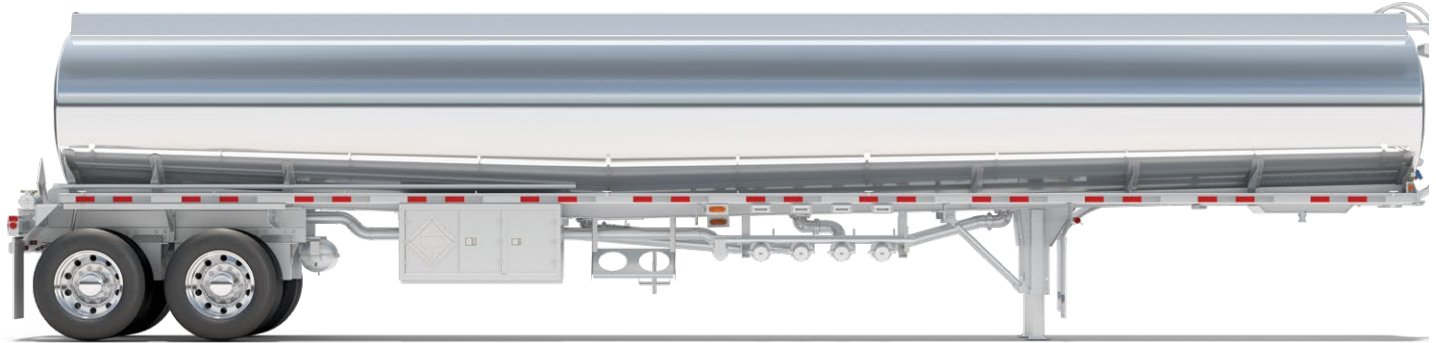


FUEL YOUR BUSINESS.

No matter the type of vessel, vapor recovery system, piping arrangements or axle/trailer configuration you require, our proven designs optimize performance and help maximize safety. Starting with our proven, two-piece barrel design and single circumferential seam, Polar petroleum trailers have what it takes to fuel your efficiency.

MISSION-SPECIFIC ENGINEERING	PREMIER QUALITY	LEADING VALUE	ACTIVE PARTNERSHIP
<ul style="list-style-type: none">▪ Optimum payloads▪ Optimized framing and structural design▪ Double-taper design▪ 3D design review	<ul style="list-style-type: none">▪ Premium build quality▪ Recognized industry leader▪ Detail-focused▪ Custom Cabinetry	<ul style="list-style-type: none">▪ Ease of operation▪ Uptime-focused▪ Low maintenance▪ Increased weight savings	<ul style="list-style-type: none">▪ Design expertise▪ Direct approach▪ Personal commitment▪ Ongoing support

WELCOME TO POLAR TERRITORY



Available in a range of configurations, capacities and options, including truck & pull, B-train, Polar petroleum products offer numerous advantages including its proven single circumferential girth seam, lower overall profile, simpler piping and robust durability without weight penalty. *That's fueling efficiency.*

MULTIPLE CONFIGURATIONS
DOUBLE-TAPER CONICAL
STRAIGHT BARREL
HIGH CUBE
TRUCK & PULL
CANADA B-TRAIN

POLAR. FUEL YOUR EFFICIENCY.

LOWEST CENTER OF GRAVITY	TARE- AND PAYLOAD-OPTIMIZED	ADVANCED CONSTRUCTION
<ul style="list-style-type: none"> ▪ Unique elliptical design ▪ Increased aerodynamics ▪ Lower kingpin height ▪ Driver-preferred handling 	<ul style="list-style-type: none"> ▪ Patented T-rings for additional savings ▪ Frameless design available ▪ Reduced piping ▪ No heel 	<ul style="list-style-type: none"> ▪ Double-taper design for faster unloading ▪ 60/40 split girth seam reduces weld stress ▪ State-of-the-art robotically welded vessel ▪ Safety enhancements to help reduce risk exposure

POLAR WARRANTY AND SUPPORT

- Strong tradition of aftermarket parts and service with Polar Service Centers
- Standard limited warranty, backed with a team of highly experienced engineers
- Reputation for best-in-class manufacturing and design of tank trailers