

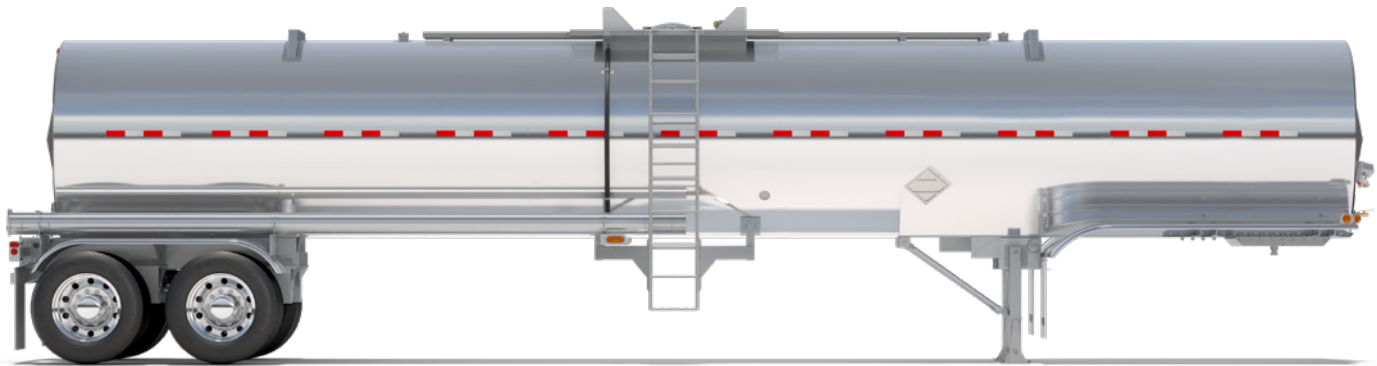


FORMULATED FOR PERFORMANCE.

Starting with our proven, two-piece barrel design and single circumferential seam, Polar Chemical Transport trailers offer the durability, efficiency, safety and faster unloading time desired in a chemical trailer.

MISSION-SPECIFIC ENGINEERING	PREMIER QUALITY	LEADING VALUE	ACTIVE PARTNERSHIP
<ul style="list-style-type: none">■ Design expertise■ Proven design■ 3D design review	<ul style="list-style-type: none">■ Premium manufacturing■ Recognized industry leader■ Detail-focused	<ul style="list-style-type: none">■ Uptime-focused■ Low maintenance■ Ergonomically friendly	<ul style="list-style-type: none">■ Direct approach■ Personal commitment■ Ongoing support

WELCOME TO POLAR TERRITORY



Available in a range of tank designs, materials, capacities, axle configurations and customizations, Polar Chemical Transport trailers bring durability, efficiency and safety, along with faster unloading times and ease-of-use features that make them driver-preferred. *That's a formula for performance.*

MULTIPLE CONFIGURATIONS
STRAIGHT ROUND JACKETED
DOUBLE CONICAL JACKETED
STRAIGHT ROUND EXTERNAL RING
DOUBLE CONICAL EXTERNAL RING
DEEP DROP

POLAR. CHEMICALLY SUPERIOR.

CHEMICAL PERFORMANCE	MAXIMUM UPTIME	DRIVER-PREFERRED
<ul style="list-style-type: none"> Optimized internal design for faster unloading and cleanout Wide range of options on piping, pump-off lines, vapor recovery, walkways, heating Deepest drop (Up to 36") Light weight for more payload translates into more revenue per load 	<ul style="list-style-type: none"> Low-maintenance design reduces service time, promotes low cost of ownership Multi-product capability increases trailer versatility Single center circumferential seam and numerous design features promote durability State-of-the-art robotically welded vessel 	<ul style="list-style-type: none"> User-friendly, efficient operation Numerous safety enhancements help reduce risk exposure Low-profile design and lower center of gravity promote handling and reduce height restrictions Several ground-level accommodations to keep the driver from having to climb onto the trailer

POLAR WARRANTY AND SUPPORT

- Strong tradition of aftermarket parts and service with Polar Service Centers
- Standard limited warranty, backed with a team of highly experienced engineers
- Reputation for best-in-class manufacturing and design of tank trailers